

# High-pressure fog nozzle 2MN

High-pressure nozzle for extremely fine, fog-like spray. For air moisturization, adiabatic cooling and disinfection of stables and greenhouses.

## Advantages

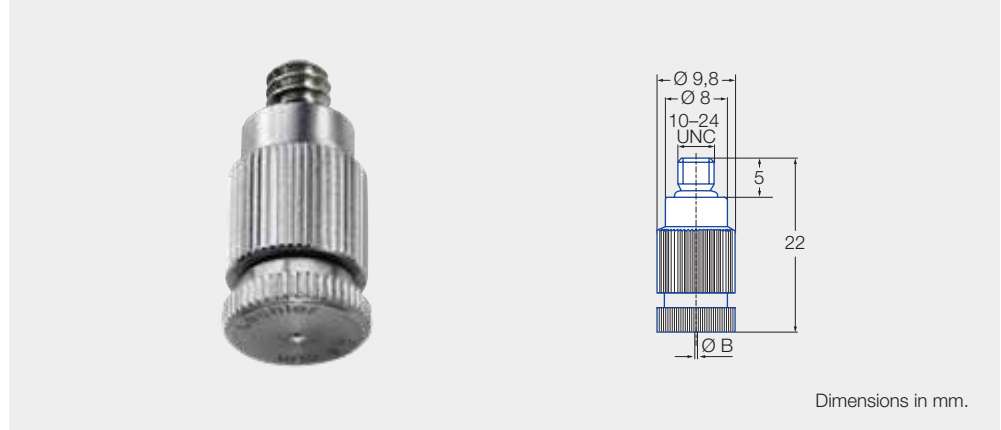
- Extremely fine, fog-like hollow cone spray
- Non-return valve included

## Connection

10-24 UNC

## Additional versions on request:

- Bore diameters
  - 0.6 mm
  - 0.7 mm
- Connections
  - 12-24 UNC
  - M5
- Material
  - 316L SS
- Gasket
  - FKM/Viton® (brown)
- Nozzle plug



A	Ordering no.		B Ø [mm]	V̇ [l/h]							
	Type	Mat. no. 16 303 SS		p [bar] (p <sub>min</sub> = 30 bar)* (p <sub>max</sub> = 130 bar)**							
				30	40	50	60	70	80	90	100
55°	<b>2MN.014.16.00.00</b>	○	0.15	1.44	2.28	2.58	2.82	3.00	3.48	3.84	4.08
70°	<b>2MN.025.16.00.00</b>	○	0.2	2.46	3.42	3.78	4.26	4.50	5.10	5.10	5.46
85°	<b>2MN.055.16.00.00</b>	○	0.3	4.20	4.92	5.46	6.12	6.30	6.96	7.32	7.92
90°	<b>2MN.086.16.00.00</b>	○	0.4	5.64	6.96	7.68	8.52	9.00	9.54	10.14	11.10
95°	<b>2MN.106.16.00.00</b>	○	0.5	7.02	8.16	9.60	10.80	11.40	11.70	12.54	13.68

B = bore diameter

\* Opening pressure: approx. 8 bar

\*\* The pipe system is the limiting factor.



## Bore diameter

0.15 – 0.5  
0.6 and 0.7 on request



## Spray angle

55° – 95°



## Materials

303 SS, nozzle tip  
316L SS, spring  
302 SS,  
gasket NBR (black)



## Pressure range

30 – 60 – 80 – 130 bar

## Application areas



Greenhouse



Stable