



Dead-man's circuit and »CleanerValve«

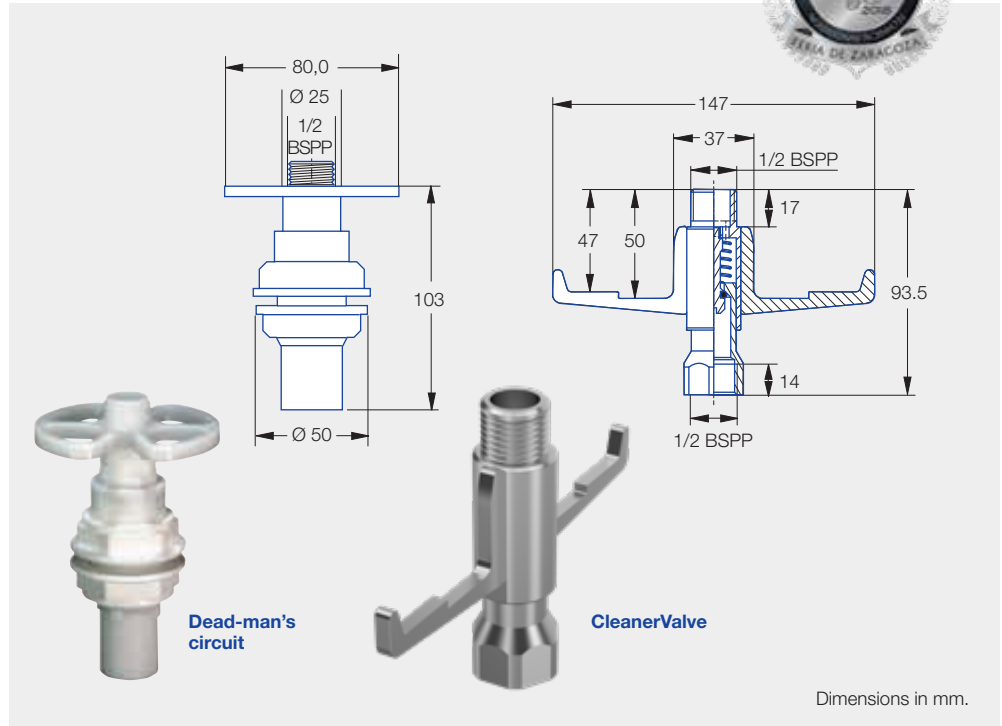
Safety valve for practical canister cleaning.

Advantages

- Valve is simple and convenient to operate
- Safety valve opens only in the event of container pressure
- Can be combined with static and rotating container cleaning nozzles
- Suitable for internal cleaning of all common canisters, containers and plant protection product packaging
- Better cleaning effect with stainless steel version in that container cleaning nozzle plunges deeper into container

Cleaner Valve

- Cleaning nozzle goes deeper into the canister, so the cleaning efficiency is increased
- Very robust stainless steel valve
- Extra wide bearing area for easy cleaning of measuring cups
- Operators safety: gradings on the bearing area prevent slipping



Type	Material	Ordering no.
Dead-man's circuit	POM	A.510.100.00
CleanerValve	stainless steel	092.175.17.01.00



Material

POM,
stainless steel



Pressure range

2 – 5 bar
>5 bar: use orifice for reduction of the pressure



Width across flats

CleanerValve
hex Ø 27 mm

