

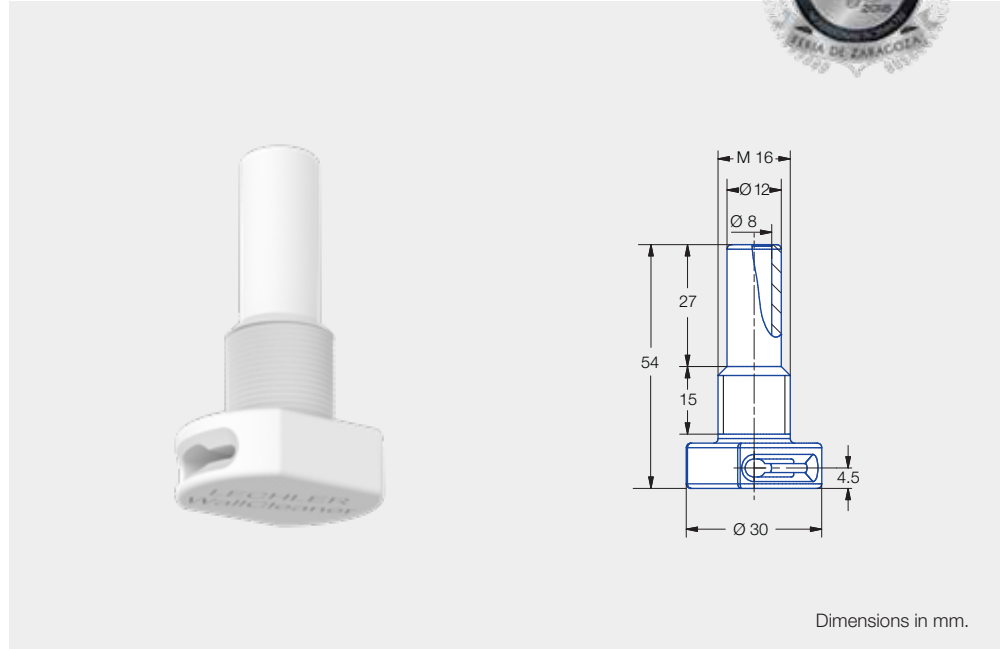


# Cleaning nozzle for induction hopper »WallCleaner«

Special nozzle for induction hoppers for induction and cleaning.

### Advantages

- Lump-free induction of plant protection products by rotating liquid flow
- Complete rinsing of inner wall up to under the edge for round induction hoppers
- Simple assembly by
  - M 16 bolt/nut design
  - Plug connection for rinsing water (Ø 12 mm)
- Simple alignment of nozzle head with open-end wrench 24 AF
- ISO 10625 colour coded, size 40



**Bore diameter**  
Ø 4.0 mm



**Spray angle**  
60°



**Material**  
POM



**Pressure range**  
2 – 4 – 8 bar

Type	Ordering no.	Bore-Ø [mm]	l/min			
			2.0 bar	4.0 bar	6.0 bar	8.0 bar
WallCleaner 40	600.569.56.40	4.0	14.0	19.8	24.3	28.0
Gasket for WallCleaner	095.015.6C.01.99	-	-	-	-	-

