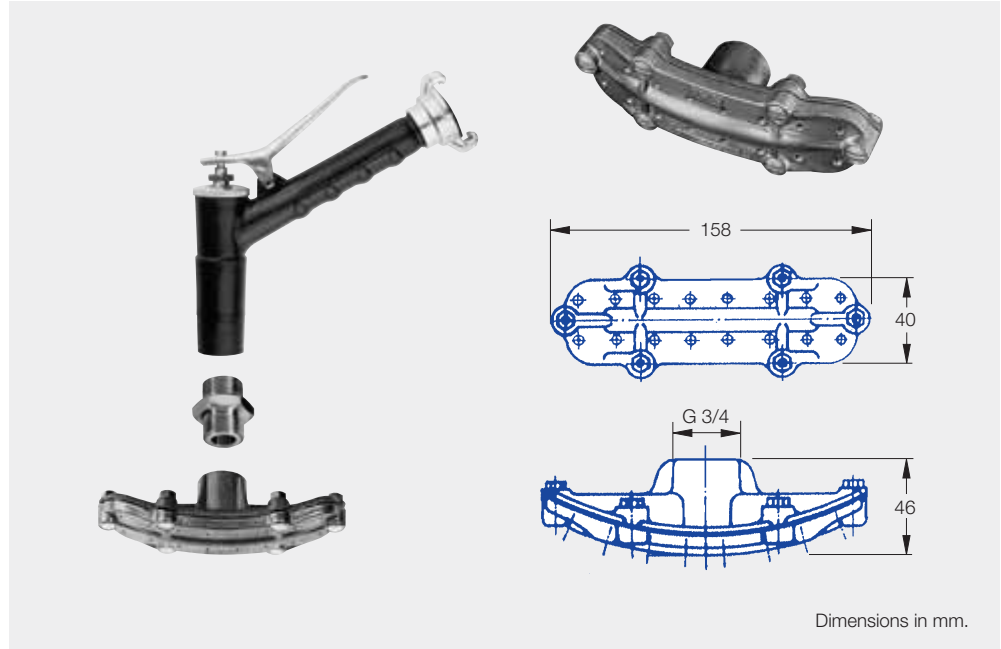


# Fan nozzles

Special nozzle for gentle delivery of large liquid quantities.

## Advantages

- Fine, gentle atomization
- Gentle plant irrigation
- Effective disinfection of livestock buildings. Please observe the safety instructions of the chemical label
- Optionally available with spray gun and GEKA connection coupling



**Material**  
Light alloy



**Pressure range**  
2 – 10 bar

Ordering no.	Ordering no.
Nozzle with spray gun GEKA connector	Double nipple G 3/4"
095.016.00.01.76	065.611.30

Ordering no. Nozzle excl. stay tube 3/4" connector	Flow rate l/min, at		
	2.0 bar	5.0 bar	10.0 bar
531.003.41.00	31.5	49.8	70.4
531.093.41.00	53.0	83.8	119
531.133.41.00	67.0	106	150

