



Air-injector off center compact nozzles IDKS 80

Drift reduction:
90/75/50 %



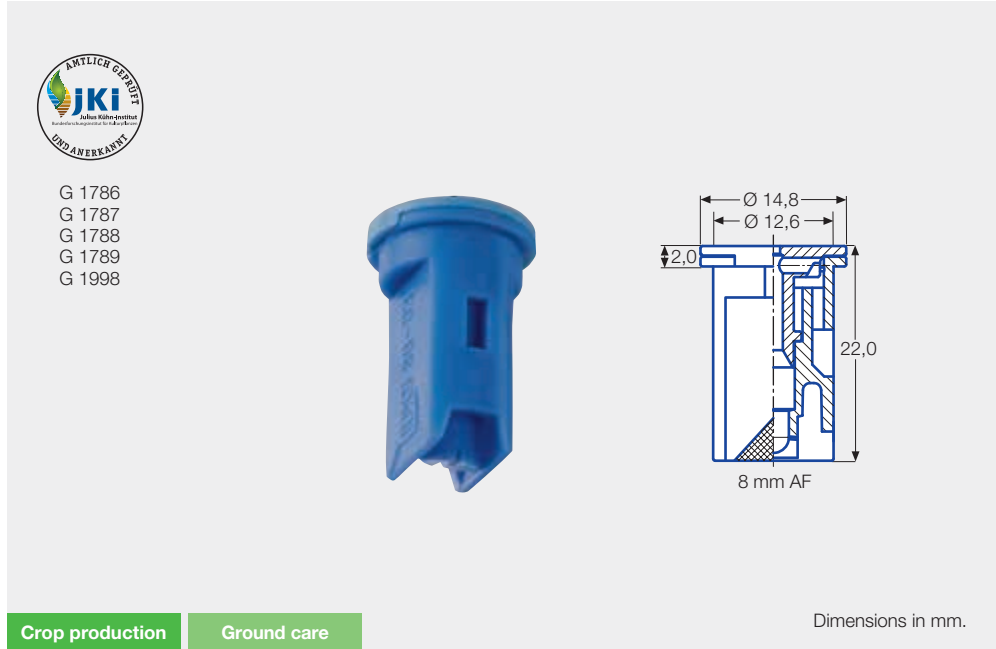
Current list under

www.lechler-agri.com/drift-reduction

Very low-drift, compact air-injector off center nozzle for border application and banding.

Advantages

- Same JKI drift reduction class in combination with IDK-/IDKN-/IDKT-nozzles in the field spray boom
- Volume flow adapted for optimum cross distribution in combination with IDK-/IDKN-/IDKT-nozzles of the same size
- Asymmetrical spray pattern (20°/60° to axis)
- Precise edge application along water courses and field boundaries
- Optimum protection of neighboring crops (field edge application) or row/special cultures (herbicide banding/underleaf spraying)



Nozzle size
015 – 06



Spray angle
80°



Material
POM



Pressure range
– Sprayer / broadcast spraying:
1 – **1.5 – 3** – 6 bar
– Vertical sprayer boom:
1 – **8 – 15** bar



Recommended filters
60 M 015 – 04
25 M 05 – 06



Droplet size
Ultra coarse – medium



Width across flats
8 mm

Application areas



Border nozzle



Band spraying in orchards and vineyards



Vertical boom



Spray frame



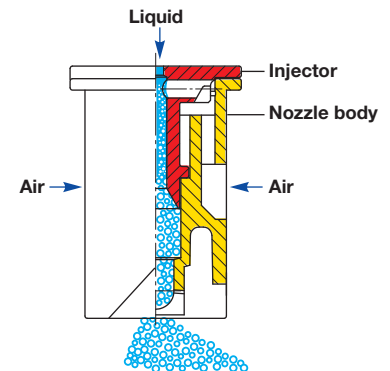
Knapsack sprayer



Greenhouse



Toolless removable injector



Spray table for air-injector off center compact nozzles IDKS 80

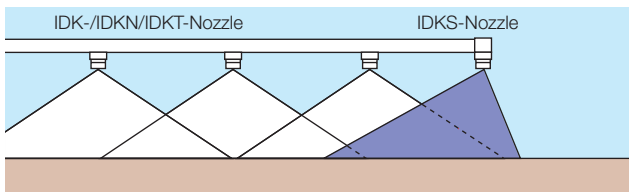
| IDKS | Nozzle size | l/min | | | | | | |
|--------------------|-------------|-------|------|------|------|------|------|------|
| | | 1.0 | 1.5 | 2.0 | 3.0 | 4.0 | 5.0 | 6.0 |
| IDKS 80-015 | 60 M | - | 0.28 | 0.32 | 0.39 | 0.45 | 0.51 | 0.55 |
| IDKS 80-02 | 60 M | - | 0.42 | 0.48 | 0.59 | 0.68 | 0.76 | 0.83 |
| IDKS 80-025 | 60 M | - | 0.56 | 0.65 | 0.80 | 0.92 | 1.03 | 1.13 |
| IDKS 80-03 | 60 M | 0.57 | 0.70 | 0.81 | 0.99 | 1.15 | 1.28 | 1.40 |
| IDKS 80-04 | 60 M | 0.69 | 0.84 | 0.97 | 1.19 | 1.37 | 1.53 | 1.68 |
| IDKS 80-05 | 25 M | 0.91 | 1.12 | 1.29 | 1.58 | 1.82 | 2.04 | 2.23 |
| IDKS 80-06 | 25 M | 1.14 | 1.39 | 1.61 | 1.97 | 2.28 | 2.55 | 2.79 |

- Application data valid for water
- Gauge the nozzle flow rates prior to each spraying season
- Spray pressure at the nozzle tip

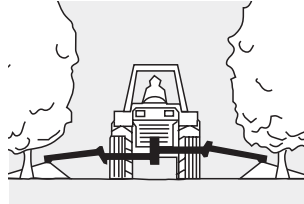
Please ask for additional installation instructions A100 for broadcast spraying and A 200 for banding.

Example of ordering

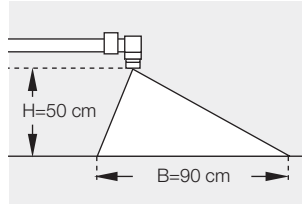
Type + spray angle + int'l nozzle size + material = ordering no.
IDKS 80° 02 (POM) = IDKS 80-02




Defined border spraying



Band spraying in orchards/
vineyards



Spray dimensions



Underleaf spraying in row crops

Accessories: swivel nozzle holders, etc. (see page 112)