



Rotating cleaning nozzles »MicroWhirly« and »ContiCleaner« with slide bearing

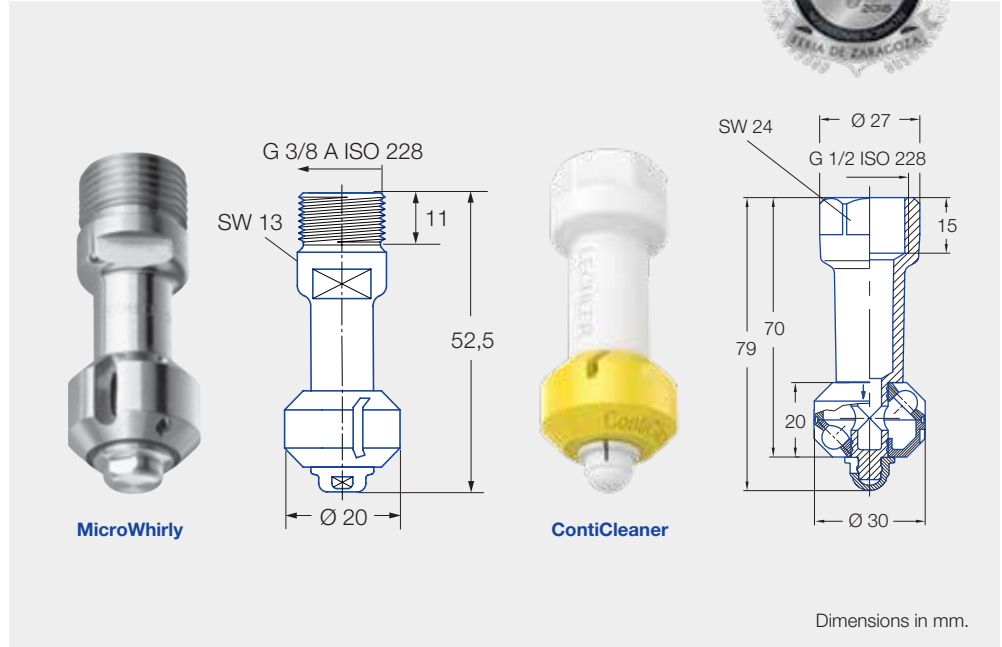
Rotating cleaning head with flat spray nozzles and slide bearings.

Advantages

- Effective rotating cleaning by means of flat spray nozzles
- Optimum internal cleaning of plant protection equipment tanks, canisters, containers and plant protection product packaging
- Self-powered, without external drive
- Robust design
- Resistant to chemicals

ContiCleaner

- Optimised for continuous internal cleaning
- ISO 10625 colour coded, sizes 12, 25, 30 and 60
- It runs easily even at low pressure
- Suitable for all sprayers



Spray angle
360°

Material
PVDF, PTFE, stainless steel

Pressure range
2 - 5 bar



Operating principle
Free-spinning

Installation
Operation in every direction is possible

Max. tank diameter
Type 566: 1.7 m
ContiCleaner: 1.6 m

Filtration
Line strainer with a mesh size of 0.3 mm/50 mesh

Bearing
Slide bearing made of PEEK and PVDF

Type ()	Ordering no.	Material			l/min			Max. tank diameter [m]	
		ASI 316L	PVDF	PTFE und PVDF	2.0 bar	3.0 bar	5.0 bar		
360° 	ContiCleaner 12 (60M)	500.191.55.12.00	-	-	○	4.1	5	6.5	1.6
	ContiCleaner 25 (60M)	500.191.55.25.00	-	-	○	8.2	10	12.9	1.6
	ContiCleaner 30 (60M)	500.191.55.33.00	-	-	○	9.8	12	15.5	1.6
	ContiCleaner 60 (25M)	500.191.55.60.00	-	-	○	20.4	25	32.3	1.6
	MicroWhirly stainless steel (25M)	566.939.1Y.AE	○	-	-	21	26.0	33.6	1.7
MicroWhirly PVDF (25M)	500.191.5E.00	-	○	-	20	24	31	1.1	



Function video

Scan the QR-code or go to:
www.lechler.com/microwhirly



Function video

Scan the QR-code or go to:
www.lechler.com/pvdfmicrowhirly

Accessories
More information see page 12.