

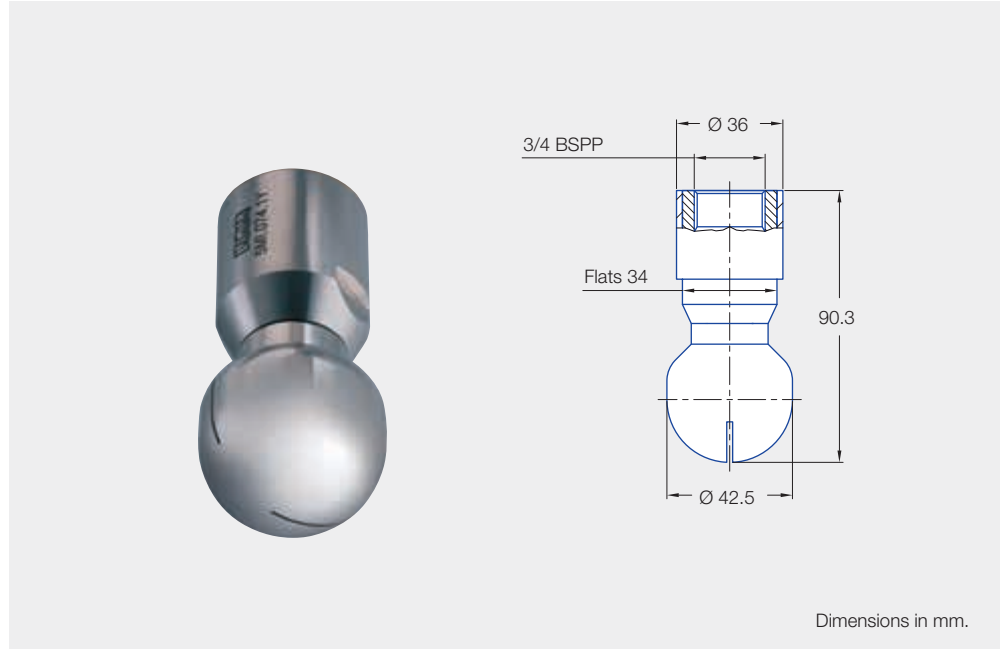


# Rotating tank cleaning nozzle »MiniSpinner« double ball bearing mounted

Rotating cleaning head with flat spray nozzles and double ball bearings.

## Advantages

- Efficient internal cleaning thanks to innovative slot design
- Reliable and long service life due to double ball bearings
- Self-powered, without external drive
- Resistant to chemicals



**Spray angle**  
360°



**Material**  
Stainless steel



**Pressure range**  
1 - 2 - 3 bar



**Operating principle**  
Free-spinning



**Installation**  
Operation in every direction is possible



**Max. tank diameter**  
2.3 m



**Filtration**  
Line strainer with a mesh size of 0.1 mm/170 Mesh



**Bearing**  
Double ball bearing made of AISI 440C

Ordering no.	l/min			Max. tank diameter [m]
	1.0 bar	2.0 bar	3.0 bar	
360° 5MI.054.1Y.AL	21	30	37	1.8
5MI.074.1Y.AL	35	49	60	2.1
5MI.014.1Y.AL	49	69	85	2.3



## Function video

Scan the QR-code or go to:  
[www.lechler.com/spinner](http://www.lechler.com/spinner)