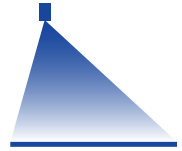


Wide-throw nozzles

OC



Crop production

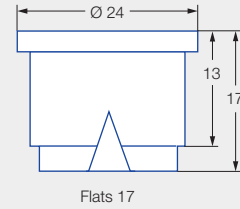
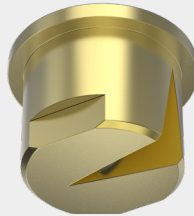
Ground care

Dimensions in mm.

- Off center nozzle with large throw width

Advantages

- Laterally offset orifice
- Asymmetrical flat spray nozzle
- Spraying range 6 to 8 m



Wide-throw nozzle OC

Application:



Greenhouse



Riding arena floor



Boomless application

Technical data:



Nozzle sizes
40–80



Spray angle
90°



Material
Brass



Pressure ranges
2–5 bar



Recommended strainer
25 M



Droplet sizes
Medium – fine



Width across flats
17 mm

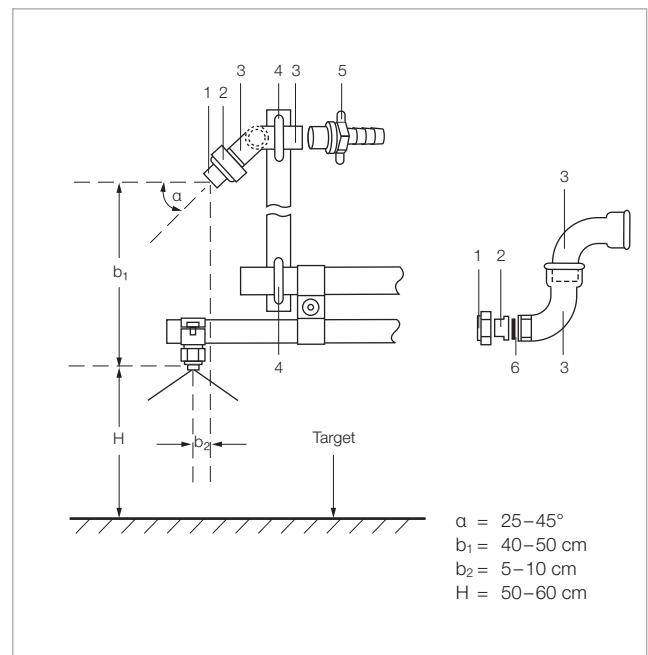
	[l/min]				Recommended nozzle combination with flat spray nozzles, e.g. with LU/IDK/IDKN nozzles
	2.0	3.0	4.0	5.0	
OC 40	12.50	15.30	17.70	19.80	-03/-04
OC 60	20.00	24.49	28.28	31.62	-05/-06
OC 80	25.00	30.62	35.36	39.53	-06/-08

- The stated l/ha values apply to water
- Check the nozzles by gauging the flow rates prior to every spraying season
- Pressure measured at the nozzle

Mounting on boom/nozzle adjustment

A wide-throw nozzle is fitted at each end of the boom. The individual nozzles are supplied via additional section valves or branches (with T connectors) from existing sufficiently dimensioned feedlines. It must be ensured that the equipment has a pump with a sufficiently high delivery (additional flow rate for two wide-throw nozzles approx. 80 l/min).

Position	Designation	Order no.
1	Wide-throw nozzle	OC 40 OC 60 OC 80
2	Union nut	065.600.30.00.00
3	Angle 90°, 3/4" male and female threads	see Page 135
4	Pipe clamp	-
5	Hose shank, 3/4"	see Page 132 + 133
6	Gasket	065.640.72.00.00



Spraying range/effective working width

The spraying range can be influenced by the setting angle α :

Setting angle, α [°]	Spraying range, a [m]
25	9.0
30	8.5
35	8.0
40	6.0
45	5.5

Assembly



Double nipple
Order no. **065.611.30.00.00**

Gasket
Order no. **065.640.72.00.00**

Wide-throw nozzle

Threaded cap 3/4"
Order no. **065.600.xx.00.00**
(brass or stainless steel)