

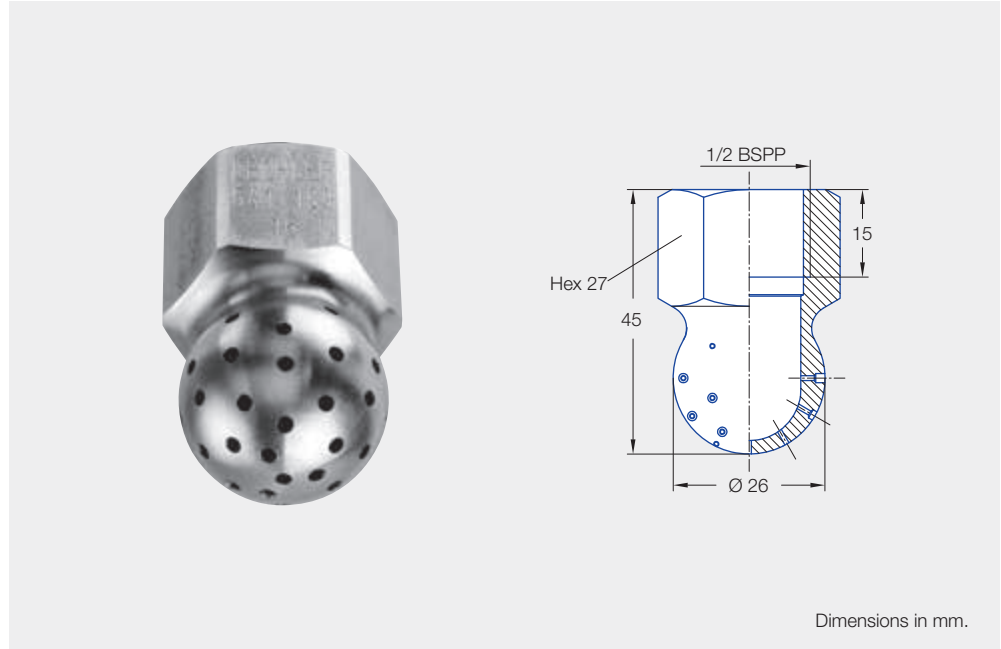


Static spray ball Series 540/541

Static multichannel solid jet nozzle.

Advantages

- Ideal for rinsing containers
- Compact design
- Self-draining
- No moving parts and thus fault-free
- Easy to inspect



Spray angle
240°



Material
Solid stainless steel,
PVC



Pressure range
2 – 3 – 10 bar





Operating principle
Static



Installation
Operation in every
direction is possible



Max. tank diameter
7.5 m

|  | Ordering no. | l/min | | | | | Max. tank diameter [m] |
|---|-------------------------|---------|---------|---------|---------|----------|------------------------|
| | | 2.0 bar | 3.0 bar | 4.0 bar | 5.0 bar | 10.0 bar | |
|  | 540.909.16 ¹ | 18.0 | 22.0 | 25.4 | 28.5 | 40.2 | 6.5 |
| | 540.989.16 ¹ | 28.0 | 34.3 | 39.6 | 44.3 | 62.6 | 7.0 |
| | 541.109.16 | 57.0 | 69.8 | 80.6 | 90.1 | 127.5 | 7.5 |

¹ Also available in PVC