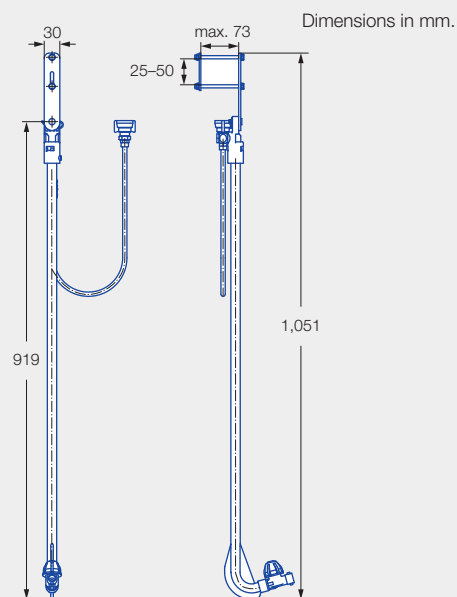
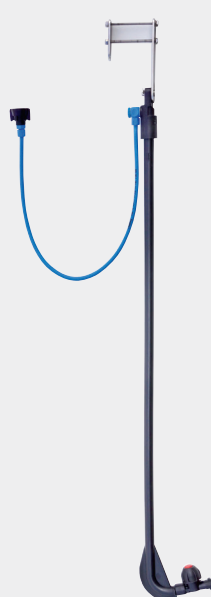




- Underleaf spraying system for broadcast and row applications

Advantages

- Fits all booms
- Gentle on plants since hangs freely at right angles to plant row
- Less weather-dependent use due to low-drift application on crop
- Optimum plant protection product deposition at the sides and from below on leaf undersides and stalks
- Variable nozzle equipment with plant protection and liquid fertilizer nozzles
- Robust, light and flexible – only approx. 400 g



G 1994



Adjustment template
Order No. **092.163.42.10.30**

- Nozzle equipment with:
- FT 140/FT 90, IDKT, DF, FL, TwinSprayCap
 - ID-120
 - IDK 120/IDK 90 / IDKN 120
 - LU 120/LU 90
 - FT 140/FT 90

Application:



Plant protection products and growth regulators



Vegetable growing



Liquid fertilizer delivery

Technical data:



Materials
POM fiber glass reinforced, PP, PA, stainless steel



Pressure range
Max. 8 bar



Nozzle calculator app



| Description | | Order No. |
|--|--|---------------------------|
| TwinSprayCap, MULTIJET system, for flood nozzles | | 092.163.56.10 |
| Nozzle strainer 60 M | | 065.257.56.00 |
| MULTIJET Y connector¹ 45° forward angling of nozzle | | Y.823.001.80.00.00 |
| MULTIJET bayonet cap 1/4" NPT female | | A.402.910.01 |
| Double nipple G 1/4 male | | 095.019.30.00.42 |
| Double swivel nozzle holder G 1/4 female ¹ Freely adjustable nozzle position | | A.404.172 |
| Y-kit for row application | | 092.176.00.00.00 |

For further application information, see Page 69.

Order No. 092.171.56.00

Scope of delivery: pre-assembled without nozzles, nozzle strainer, gaskets and bayonet cap

¹ For standard + Dropleg^{UL} application.

