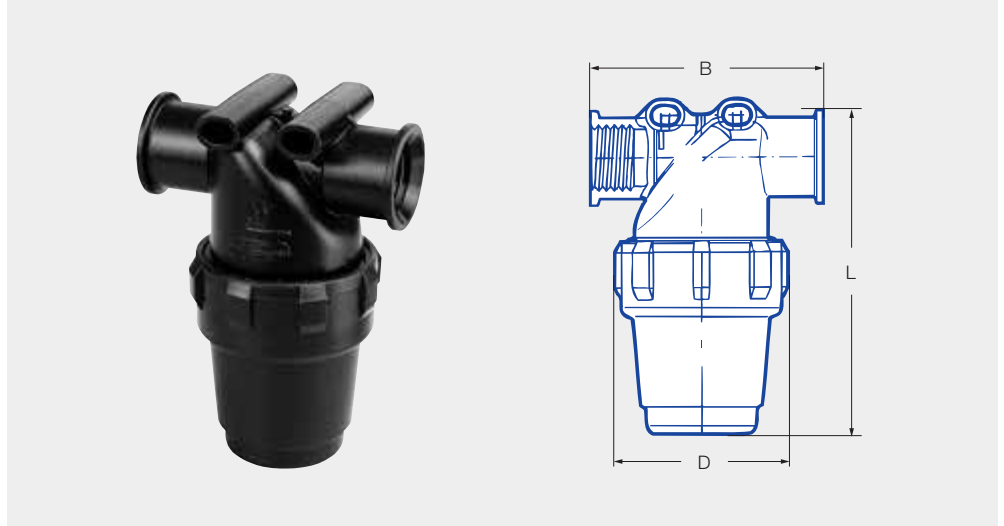




Line strainers

Features

- Line strainers up to max. 14 bar
- Large-area filter
- Strainer inserts color-coded in accordance with ISO 19732
- Mounting points on filter housing



Line strainer



SGI female thread



SGA male thread

③



SGI 6R model with cleanout connector

④



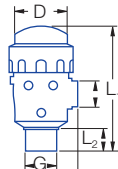
A.345.033
A.345.033.5 high-pressure strainer, max. 50 bar

Suction strainer

⑤



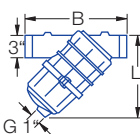
A.316.172/A.316.173



⑥



SGA2.300.53/
SGA3.300.53



max. 8 bar

Max. Flow rate [l/min]	Ordering no.	Connector G	Dimensions			Screen insert ordering no. Mesh size* Color code			
			D [mm]	L [mm]	B [mm]	30 M red	50 M blue	80 M yellow	100 M green
① SGI female (incl. Screen insert 50M. blue ■)									
100	SGI 2	1/2" female	74	136	99	012.06	012.03	012.08	012.02
100	SGI 3	3/4" female	74	136	99	012.06	012.03	012.08	012.02
160	SGI 4	1" female	86	165	107	100.06	100.03	100.08	100.02
280	SGI 5	1 1/4" female	116	279	146	114.06	114.03	114.08	114.02
280	SGI 6	1 1/2" female	116	279	146	114.06	114.03	114.08	114.02
② SGA male (incl. Screen insert 50M. blue ■)									
100	SGA 2	1/2" male	74	136	99	012.06	012.03	012.02	012.02
100	SGA 3	3/4" male	74	136	99	012.06	012.03	012.02	012.02
160	SGA 4	1" male	86	165	112	100.06	100.03	100.02	100.02
280	SGA 5	1 1/4" male	116	279	146	114.06	114.03	114.02	114.02
280	SGA 6	1 1/2" male	116	279	146	114.06	114.03	114.02	114.02
③ SGI 6R model with cleanout connector*									
280	SGI 6R	1 1/2" female	116	353	146	114.06	114.03	114.02	114.02

Max. Flow rate [l/min]	Ordering no.	Connector G	Dimensions D [mm]	L [mm]	Screen insert (incl.)
④ High-pressure strainer, 50 bar, made of fiberglass reinforced nylon					
150	A.345.033	1/2" / 3/4"	104	259	50 M blue ■
150	A.345.033.5	1/2" / 3/4"	104	259	80 M yellow ■

Ordering no.	Description
Accessory for High-pressure strainer 50 bar	
A.004.010.020	1/2" plug
A.403.000.060	Gasket for 1/2" plug
A.465.230.020	3/4" plug
A.465.005.140	Gasket for 3/4" plug

Max. Flow rate [l/min]	Ordering no.	Connector G	Dimensions				Screen insert Mesh* Color code
			D [mm]	L ₁ [mm]	L ₂ [mm]	B [mm]	
⑤ A316.172 / A.316.173							
220	A. 316.172 incl. screen 30 M	2" male	170	292	42	98	30 M red ■ A.316.002.030
220	A. 316.173 incl. screen 50 M	2" male	170	292	42	98	50 M blue ■ A.316.003.030
⑥ SGA2.300.53 / SGA3.300.53							
800	SGA2.300.53 incl. screen 30 M SGA3.300.53 incl. screen 50 M	3" male	-	358	-	415	30 M red ■ 002.26 50 M blue ■ 003.26

* Please always specify desired mesh size on order.
Screen inserts are delivered in colour coding according to ISO 19732:2007

