



■ Questionnaire for the selection of tank cleaning nozzles

In order to support you as effectively as possible, we need some information. Please fill out the following questions as good as possible.

Company: Branch:
 Address:
 Contact person: Project:
 Phone: Fax:
 e-Mail:

Diameter D:m
 Measures H.....m; H₁.....m; H₂.....m
 Number of sockets for nozzles:.....
 Position sockets R₁.....m, R₂.....m, R₃.....m
 Max. filling level H_F.....m
 Material of the vessel:
 Overall number of vessel to clean:.....
 Other remarks:.....

■ Description of cleaning task:

.....

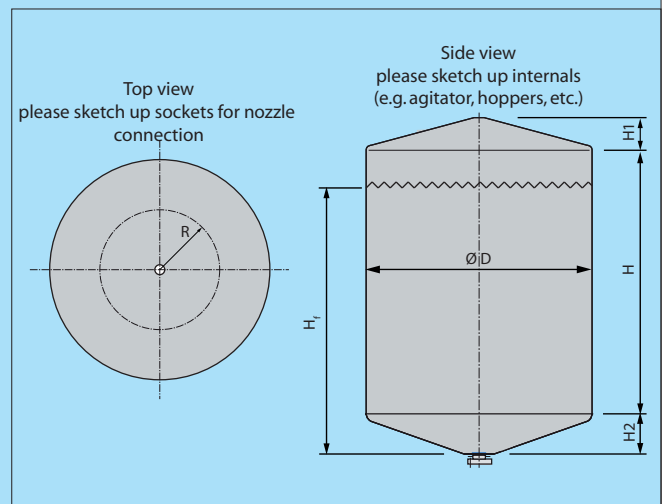
■ What is the cleaning goal:

- 360° all around only partial
(please sketch)
- Rinsing (Rinses the largest part of product remainders off the vessel)
- Cleaning (longer rinsing, 100% optical cleanliness)
- Sanitizing (Microorganisms are killed to an acceptable degree)
- Sterilization (Killing all organic life)

■ What type of cleaning liquid is used?

- Water
- Foam
- Steam, Temperature:°C
- Chemical substance:
(e.g. sodium hydroxide, concentration 5%)

■ Sketch of vessel and internals:



■ Type of soiling:

■ Does the soil adhere to the surface?

- yes no
- If yes, can you estimate the viscosity? Is it like:
- Similar to water Olive oil
- Mayonnaise Peanut butter

■ Does the cleaning liquid recirculate?

- yes no

■ Is a filter installed to keep the nozzle free of particles? yes no

If yes please specify the mesh size:..... mm

If no what is your water quality:

.....



<p>■ <u>Ambient conditions:</u></p> <p>max. temperature cleaning liq.:°C</p> <p>max. temperature environment:°C</p> <p>FDA-conformity required? <input type="checkbox"/> yes <input type="checkbox"/> no</p> <p>ATEX certificate required? <input type="checkbox"/> yes <input type="checkbox"/> no</p> <p>3A certificate required? <input type="checkbox"/> yes <input type="checkbox"/> no</p> <p>EHEDG certificate required? <input type="checkbox"/> yes <input type="checkbox"/> no</p> <p>Are there any internals in the vessel</p> <p><input type="checkbox"/> yes <input type="checkbox"/> no</p> <p>--> if yes please sketch up (agitator, hopper, etc.)</p> <p>■ <u>Material of the nozzle?</u></p> <p><input type="checkbox"/> Regular (316L)</p> <p><input type="checkbox"/> 1.4571 (316Ti)</p> <p><input type="checkbox"/> Hastelloy (C4, B2, C22)</p> <p><input type="checkbox"/> PTFE</p> <p><input type="checkbox"/> PVDF</p> <p><input type="checkbox"/> other</p> <p>■ <u>Geforderte Oberflächenqualität?</u></p> <p><input type="checkbox"/> Standard: 1,6 – 3,2 µm</p> <p><input type="checkbox"/> ≤ 0,8 µm</p> <p>■ <u>3.1 Materialzeugnisse erforderlich?</u></p> <p><input type="checkbox"/> yes <input type="checkbox"/> no</p> <p>■ <u>Specific 3.1 certificate required?</u></p> <p><input type="checkbox"/> yes <input type="checkbox"/> no</p> <p>If yes what kind of measures are required?</p> <p>.....</p> <p>.....</p> <p>.....</p> <p>.....</p>	<p>■ <u>What type of connection is required?</u></p> <p><input type="checkbox"/> Thread, type, size</p> <p><input type="checkbox"/> Flange, standard, size</p> <p><input type="checkbox"/> Clip-connection, pipe-Ø mm</p> <p><input type="checkbox"/> Weld joint, inner pipe-Ø mm</p> <p>■ <u>Available pump capacity for cleaning:</u></p> <p>max. operating pressure:bar</p> <p>max. flow rate:l/minm³/h</p> <p>■ <u>Drain off liquid:</u></p> <p>Diameter of the outlet drain:</p> <p>D_A = mm</p> <p>Suck off by pump?</p> <p><input type="checkbox"/> yes <input type="checkbox"/> no</p> <p>Free drain?</p> <p><input type="checkbox"/> yes <input type="checkbox"/> no</p> <p>Sump formation expected during drain?</p> <p><input type="checkbox"/> yes <input type="checkbox"/> no</p> <p>■ <u>What is your current type of cleaning, high-pressure cleaner, brush, nozzle of competition:</u></p> <p>.....</p> <p>.....</p> <p>.....</p>
---	--

IMPORTANT: Do not forget to **SAVE** the document after you have completed the form!

Send the document to, click here: info@lechler.de

...or to you dedicated contact person at Lechler.