

ENGINEERING
YOUR SPRAY SOLUTION

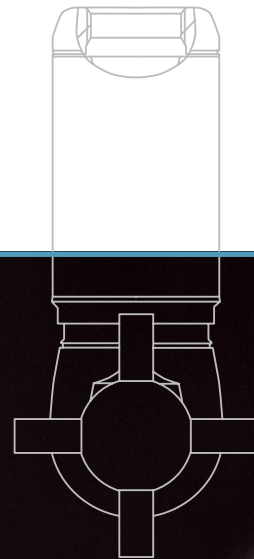


NEW

➤➤ HIGH IMPACT CLEANER MESHCLEAN

Series 5T2/5T3

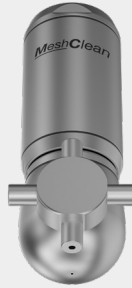
GENERAL INDUSTRY



High impact cleaner MeshClean Series 5T2/5T3

Features:

- High degree of effectiveness due to particularly powerful solid stream nozzles
- Suitable for smaller tanks with stubborn dirt
- Active self-cleaning due to special nozzle geometry
- Especially low maintenance



Function video
www.lechler.com/de-en/medialibrary/videos-general-industry
 Or scan the QR code.



**ATEX version
on request**

Series 5T2/5T3

Technical data:



Max. operating temperature
150 °C



Max. ambient temperature
150 °C



Installation
Operation in every direction is possible



Bearing
Ball bearing



Material
Stainless steel (316L), PTFE, PEEK, EPDM



Weight
1.0 kg



Surface quality
Ra ≤ 0.8 µm



Surface quality
Ra ≤ 1.6 µm



Steam suitability
Suitable



Insertion diameter
68-82 mm



Filtration
Line strainer with a mesh size of 0.2 mm/80 Mesh



Recommended operating pressure
5 bar



Adapter
3/4 BSPP compatible with HygienicFit



Rotation monitoring
Sensor compatible

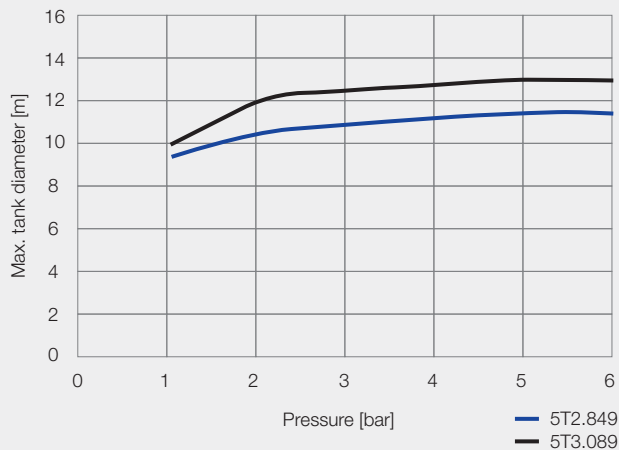


Maintainable



Max. tank diameter

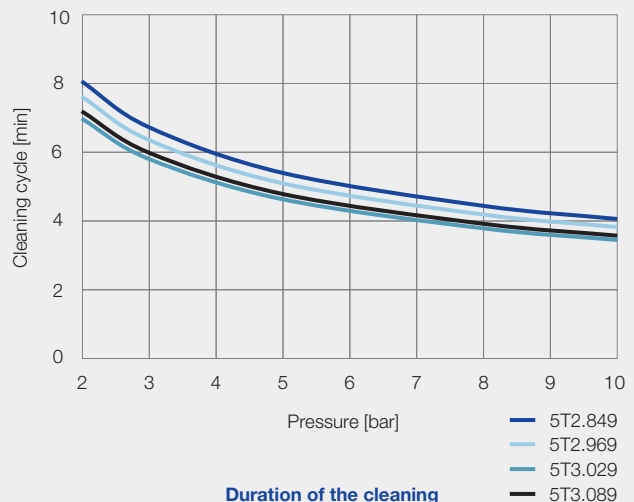
The max. tank diameter shown above applies for the recommended operating pressure and has to be seen as a recommendation. The cleaning result is also affected by the type of soiling.



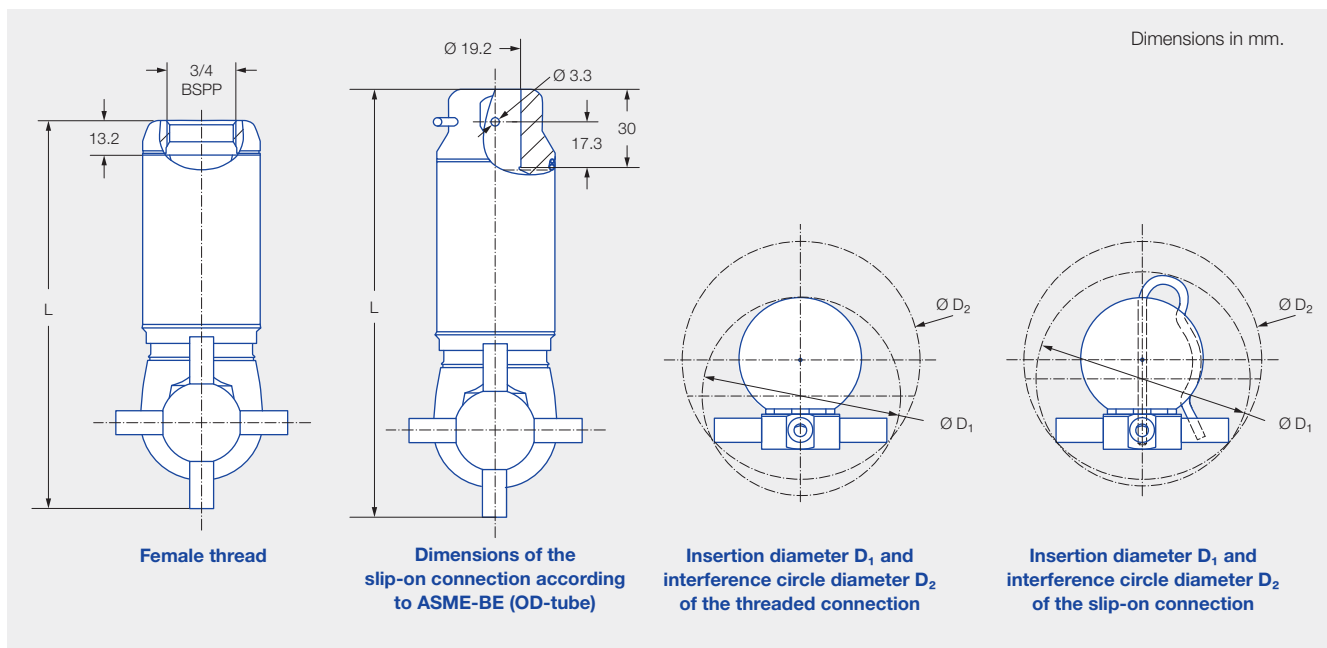
Overview of the maximum tank diameter in relation to the pressure




Duration of cleaning cycle



Duration of the cleaning cycle in relation to the pressure



Spray angle	Ordering no.			\dot{V} water [l/min]			Dimensions [mm]						Max. tank diameter [m]
	Type	Code		p [bar] ($p_{max} = 15$ bar)			Female thread			Slip-on connection			
		3/4 BSPP	3/4"-Slip-on connection	2.0	5.0	at 5 bar [m ³ /h]	L	$\varnothing D_1$	$\varnothing D_2$	L	$\varnothing D_1$	$\varnothing D_2$	
360° 	5T2.849.1Y	AL	TF07	13	20	1.2	142	68	82	157	77	82	11.5
	5T2.969.1Y	AL	TF07	25	40	2.4	142	68	82	157	77	82	12.0
	5T3.029.1Y	AL	TF07	35	55	3.3	142	68	82	157	77	82	12.5
	5T3.089.1Y	AL	TF07	50	79	4.7	148	74	91	163	82	91	13.0

New standard in terms of
 hygienic design, process
 reliability and service life

MeshClean

**ENGINEERING
YOUR SPRAY SOLUTION**



Lechler GmbH · Precision Nozzles · Nozzle Systems
Ulmer Strasse 128 · 72555 Metzingen, Germany · Phone +49 7123 962-0 · info@lechler.de · www.lechler.com

Edition 06/23 · EN · PDF
Subject to technical modifications or mistakes.