

# KEY FACTS ROTATING CLEANING NOZZLES XACTCLEAN HP 2

Series 5S6/5S7

GENERAL INDUSTRY

## XactClean HP 2

- Hygienically encapsulated threads
- ATEX certified with FDA and EC1935/2004
- Operation with steam approved (SIP)
- Max. temperature 150 °C
- Controlled slow rotation through our patented gearbox
- Use of high quality materials: Stainless steel 1.4404 (316L) or 2.4602 (Alloy 22), PEEK, EPDM or FKM

**XactClean HP 2**  
High Performance

Open flow gearbox for maximum hygiene

Overload clutch protects the gearbox in case of improper use

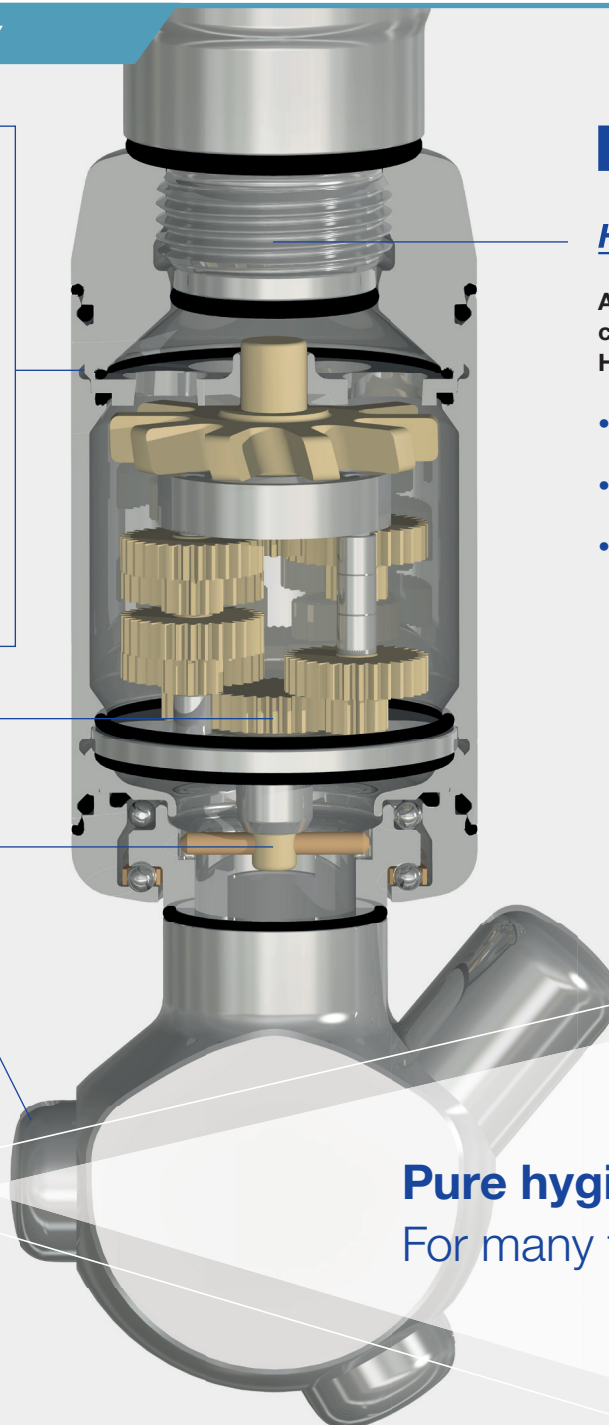
Powerful flat jet nozzle inserts

## Perfect add

### HygienicFit

**Advantages of the hygienic connection with the HygienicFit adapter**

- Reliable encapsulated thread
- Thread locking by O-rings (EPDM)
- Adapter made of stainless steel 1.4404 (316L)



**Pure hygiene.**  
For many tank sizes.