

KEY FACTS

ROTATING CLEANING NOZZLE POPOP WHIRLY AIR HYGIENIC

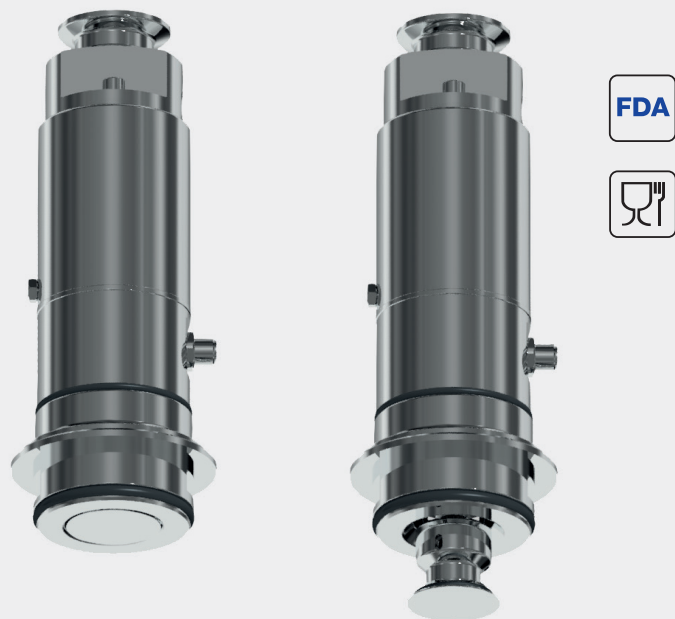
Series 5P7

GENERAL INDUSTRY

Pneumatically extendable PopUp nozzle
for tank and equipment cleaning

Features

- Position indication by means of sensor (IO-link capable)
- Self-draining in almost any orientation
- Extendable independent of liquid pressure
- Flushable with air
- Installation flush with wall
- No additional installations in the process area



Series 5P7

Technical data:



Maximum operating temperature
95 °C



Maximum ambient temperature
65 °C



Flow rate
54 lpm at 2.5 bar



Recommended operating pressure
2.5 bar

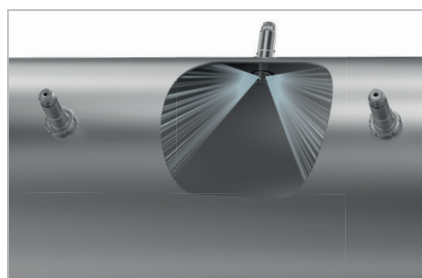


Maintainable

Accessories

Retaining nut: 095.011.1Y.00.89
Weld-on nipple: 500.605.1Y.00.08

Installation example



Spray distribution

