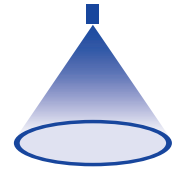


➤ Tangential-flow hollow cone nozzles Series 308



Features:

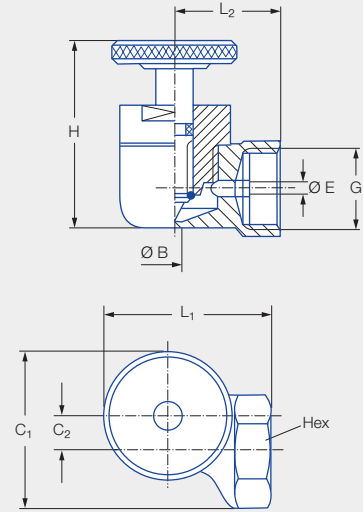
- Uniform atomization
- Non-clogging nozzle without swirl insert
- Adjustable flow rate

Applications:

- Humidification of air in air washers
- Dust control
- Spraying onto filters
- Foam control
- Cooling



Series 308



| G | Dimensions [mm] | | | | | | Weight [g] |
|----------|-----------------|----------------|------|----------------|----------------|-----|------------|
| | C ₁ | C ₂ | H | L ₁ | L ₂ | Hex | |
| 3/8 BSPP | 34.0 | 8.0 | 40.0 | 36.0 | 23.0 | 22 | 150.0 |

| Spray angle | Ordering no. | | Bore diameter B [mm] | Narrowest free cross section Ø [mm] | V _{max} water [l/min] | | | | | | Spray diameter D [mm] (at p = 2 bar) | |
|-------------|--------------|----------|----------------------|-------------------------------------|--------------------------------|------|------|------|------|------|--------------------------------------|-----|
| | Type | Mat. no. | | | p [bar] | | | | | | | |
| | | 30 | | | 0.3 | 0.5 | 1.0 | 2.0 | 5.0 | 10.0 | | |
| 90° | 308.466 | ● | 2.00 | 2.00 | 0.54 | 0.70 | 1.00 | 1.40 | 2.21 | 3.13 | 440 | 830 |
| | 308.606 | ● | 4.00 | 4.00 | 1.22 | 1.58 | 2.23 | 3.15 | 4.98 | 7.04 | 460 | 850 |

Conversion formula for this series: $\dot{V}_2 = \dot{V}_1 \cdot \sqrt{\frac{p_2}{p_1}}$

Ordering Type + Material no. = Ordering no.
example: 308.466 + 30 = 308.466.30

Assembly accessories can be found in Chapter 9 "Accessories".

