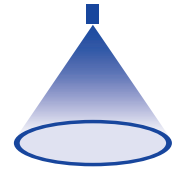
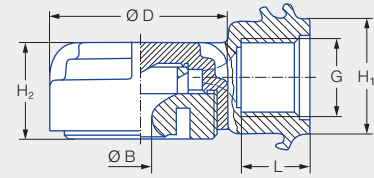
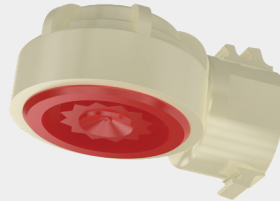


# ➤ Tangential-flow hollow cone nozzles Series 350



### Features:

- High performance nozzle for humidification of air
- Very narrow droplet spectrum
- Extremely uniform liquid distribution over the entire spray pattern
- Quick-release clamp unit available for pipe mounting



### Applications:

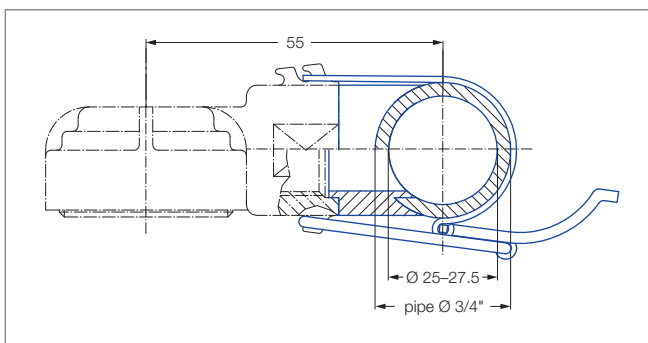
- Foam control
- Dust control
- Surface spraying
- Absorption

Series 350

G	Dimensions [mm]				Weight [g]	P <sub>max</sub> [bar]
	H <sub>1</sub>	H <sub>2</sub>	L	Ø D		
3/8 BSPP	24.0	20.0	14.0	37.0	37.0	20.0

Spray angle	Ordering no.		Bore diameter B [mm]	Narrowest free cross section Ø [mm]	V̇ water [l/min]							Spray diameter D [mm] (at p = 2 bar)	
	Type	Mat. no.			p [bar]							H = 250 [mm]	H = 500 [mm]
		56			0.5	1.0	2.0	3.0	5.0	7.0	10.0		
130°	350.368	●	1.55	0.70	0.32	0.45	0.63	0.77	1.00	1.18	1.41	950	1,250
	350.608	●	5.00	1.40	1.58	2.23	3.15	3.86	4.98	5.89	7.04	990	1,950

### Accessories:



Recommended bore diameter 18 mm.  
Quick-release clamp unit: Ordering no. 035.030.15.05.00.0.  
Consisting of: Stainless steel clamp, polyurethane gasket.

Conversion formula for this series:  $\dot{V}_2 = \dot{V}_1 \cdot \sqrt{\frac{p_2}{p_1}}$

Ordering Type + Material no. = Ordering no.  
example: 350.368 + 56 = 350.368.56

Assembly accessories can be found in Chapter 9 "Accessories".

