

Multi-channel flat fan nozzles for air "Whisperblast", plastic version Series 600.130.56/S2



Features:

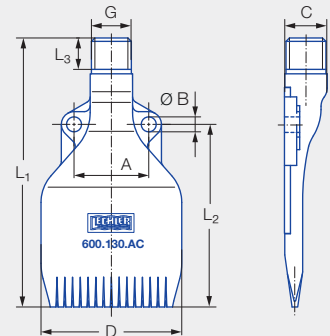
- Laminar, powerful air stream
- Low noise level
(also at higher levels of pressure)

Applications:

- Blowing off and out
- Cleaning
- Drying
- Cooling
- Transporting



Series 600.130.56/S2



¹ Meets OSHA specifications in terms of noise level.

Cost savings and noise reduction



Cost savings

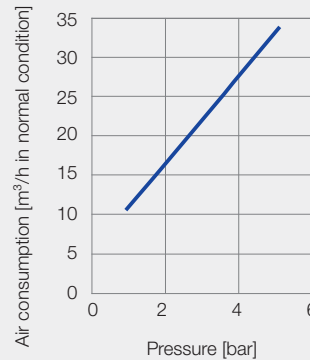
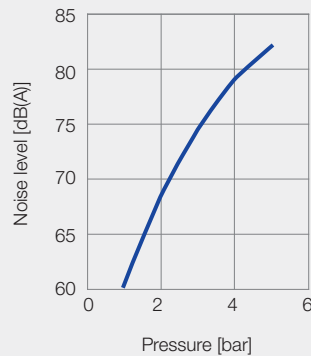
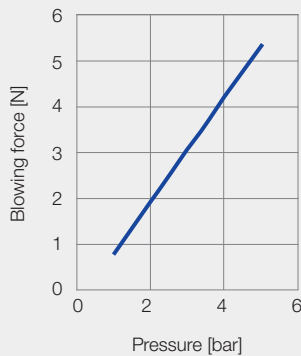
21%



Noise reduction

24%

Technical data



| Code | G | Dimensions [mm] | | | | | | | Weight [g] |
|-----------|----------|-----------------|------|------|----------------|----------------|----------------|-----|------------|
| | | A | C | D | L ₁ | L ₂ | L ₃ | ØB | |
| AC | 1/4 BSPP | 25.0 | 14.2 | 47.0 | 90.0 | 61.0 | 10.5 | 5.0 | 20.0 |
| BC | 1/4 NPT | 25.0 | 14.2 | 47.0 | 90.0 | 61.0 | 10.5 | 5.0 | 20.0 |

Ordering no.

| Type | Mat. no. | | Code | |
|----------------|-----------|------------|-----------|-----------|
| | 56 | S2 | 1/4 BSPP | 1/4 NPT |
| | POM | PP natural | | |
| 600.130 | ● | ● | AC | BC |

Ordering Type + Material no. + Code = Ordering no.
example: 600.130 + 56 + AC = 600.130.56.AC



Assembly accessories can be found in Chapter 9 "Accessories".

