

# Multi-channel flat fan nozzles for air "Whisperblast", metal version Series 600.283.42/600.606.42

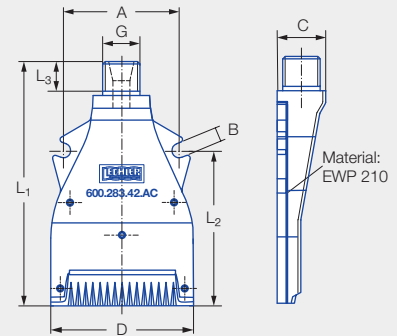


## Features:

- Laminar, powerful air stream
- High blowing force
- For high thermal and mechanical requirements

## Applications:

- Blowing off and out
- Cleaning
- Drying
- Cooling
- Transporting



Series  
600.283.42/600.606.42

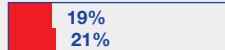
<sup>1</sup> Meets OSHA specifications in terms of noise level.

## Cost savings and noise reduction

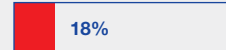
Series 600.283/  
Series 600.606



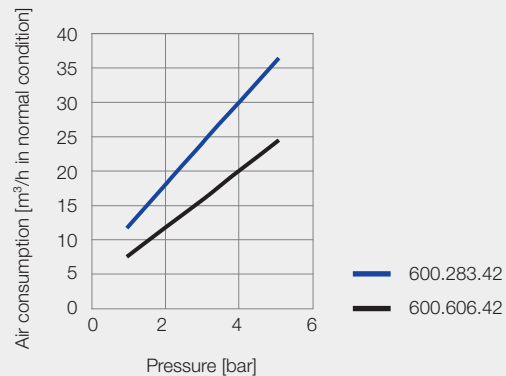
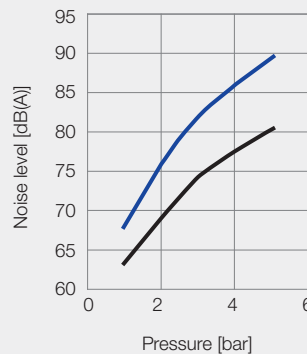
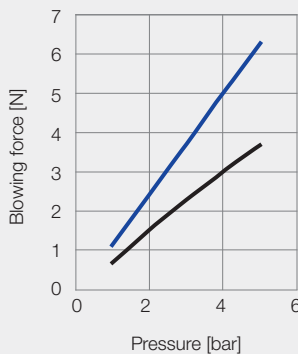
Cost savings



Noise reduction



## Technical data



Code	G	Dimensions [mm]							Weight [g]
		A	B	C	D	L <sub>1</sub>	L <sub>2</sub>	L <sub>3</sub>	
<b>AC</b>	1/4 BSPP	41.0	5.1	17.0	51.0	86.5	55.0	10.5	60.0
<b>BC</b>	1/4 NPT	41.0	5.1	17.0	51.0	86.5	55.0	10.2	60.0

Ordering no.			
Type	Mat. no.	Code	
		<b>42</b>	1/4 BSPP
	Aluminum		
<b>600.283</b>	●	<b>AC</b>	<b>BC</b>
<b>600.606</b>	●	<b>AC</b>	

Ordering Type + Material no. + Code = Ordering no.  
example: 600.283 + 42 + AC = 600.283.42.AC



Assembly accessories can be found in Chapter 9 "Accessories".

