

# Multi-channel flat fan nozzles for air "Whisperblast", plastic version Series 600.484.56

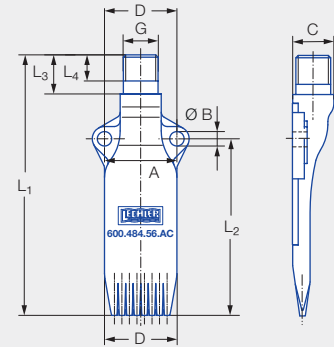


## Features:

- Compact, powerful air stream
- Low noise level (also at higher levels of pressure)
- Narrow design

## Applications:

- Blowing off and out
- Cleaning
- Drying
- Cooling
- Transporting



Series 600.484.56

<sup>1</sup> Meets OSHA specifications in terms of noise level.

## Cost savings and noise reduction



Cost savings

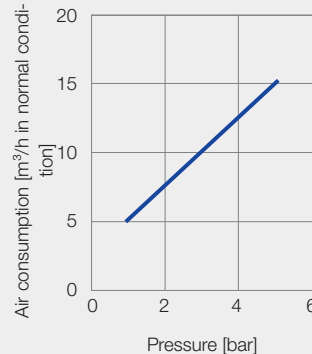
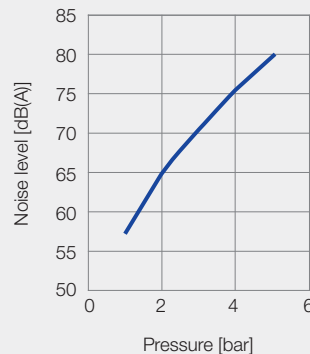
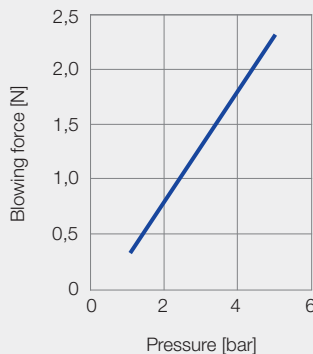
22%



Noise reduction

22%

## Technical data



Code	G	Dimensions [mm]								Weight [g]
		A	C	D	L <sub>1</sub>	L <sub>2</sub>	L <sub>3</sub>	L <sub>4</sub>	Ø B	
<b>AC</b>	1/4 BSPP	25.0	14.2	25.0	90.0	61.0	13.5	9.0	5.0	16.0
<b>BC</b>	1/4 NPT	25.0	14.2	25.0	90.0	61.0	13.5	9.0	5.0	16.0
<b>HG</b>	M12 x 1.25	25.0	14.2	25.0	90.0	61.0	13.5	9.0	5.0	16.0
<b>00</b>	Quick-release coupling size 5	25.0	14.2	25.0	90.0	61.0	13.5	-	5.0	16.0

Ordering no.					
Type	Mat. no.	Code			
	56	1/4 BSPP	1/4 NPT	M12 x 1.25	Quick-release coupling size 5
POM					
<b>600.484</b>	●	<b>AC</b>	<b>BC</b>	<b>HG</b>	<b>00</b>

Ordering Type + Material no. + Code = Ordering no.  
example: 600.484 + 56 + AC = 600.484.56.AC



Assembly accessories can be found in Chapter 9 "Accessories".