

Rotating cleaning nozzle Whirly Series 569



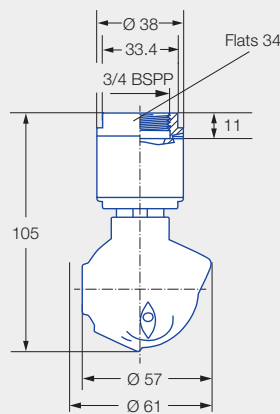
Features:

- Popular and proven design
- Cleaning with effective flat jets
- Various connection options
- Available with a wide range of flow rates and spray angles

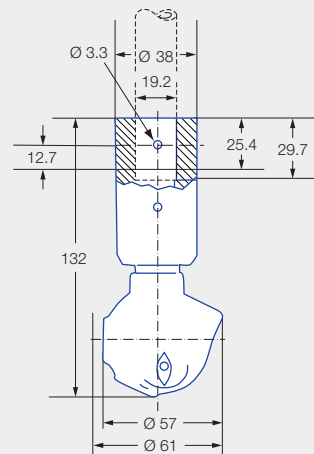


ATEX version available on request

Series 569



Female thread



Dimension of the slip-on connection according to ASME-BPE (OD tube)

Max. tank diameter [m]	0	1	2	3	4	5	6	7	8	9
------------------------	---	---	---	---	---	---	---	---	---	---

Cleaning efficiency class
3

Max. temperature
140°C

Installation
Operation in every direction is possible, in horizontal position:
No rotating until 2 bar

Bearing
Double ball bearing made of stainless steel




Material
Stainless steel 316L, PEEK, Rulon 641

Recommended operating pressure
2 bar

Filtration
Line strainer with a mesh size of 0.1 mm/170 mesh

Function video
www.lechler.com/whirly
Or scan the QR code.



Spray angle	Ordering no.			Narrowest free cross section \varnothing [mm]	\dot{V} water [l/min]				Max. tank diameter [m]
	Type	Code			p [bar] ($p_{max} = 6$ bar)				
		3/4 BSPP	3/4" Slip-on connection		1.0	2.0	3.0	at 40 psi [US gal/min]	
 270°	569.055.1Y	AL	TF07	3.6	36	48	62	15	1.8
	569.135.1Y	AL	TF07	4.8	52	71	87	22	2.1
	569.195.1Y	AL	TF07	5.6	69	97	119	30	2.6
 270°	569.056.1Y	AL	TF07	3.6	36	48	62	15	1.8
	569.106.1Y	AL	TF07	4.8	41	58	71	18	2.1
	569.196.1Y	AL	TF07	5.6	69	97	119	30	2.6
 360°	569.059.1Y	AL	TF07	3.2	36	48	62	15	1.8
	569.139.1Y	AL	TF07	3.6	52	71	87	22	2.1
	569.199.1Y	AL	TF07	4.8	69	97	119	30	2.6
	569.279.1Y	AL	TF07	7.1	103	145	178	45	3.0

NPT thread, 1" slip-on connection and 1" Tri-Clamp connection available on request.

The maximum tank diameter applies to the recommended operating pressure and is meant as a recommendation only. The cleaning result is also affected by the type of soiling.

Compressed air should be used for dry blowing for a short time only. Operation above the recommended operating pressure has a negative impact on the cleaning result and wear.

Information about slip-on connections

- Pin made of stainless steel 316L supplied (Ordering no.: 095.022.1Y.50.60.E).
- Depending on the diameter of the adapter, the flow rate can increase due to a leakage between the adapter and the rotating cleaning nozzle.

Ordering Type + Code = Ordering no.
example: 569.055.1Y + AL = 569.055.1Y.AL