

Rotating cleaning nozzle MiniSpinner 2 Series 5M3



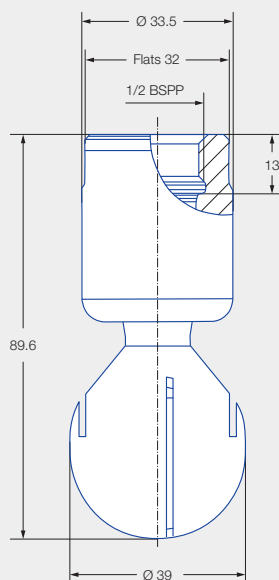
Features:

- Hygienic design
- Suitable for high temperatures
- Made entirely of stainless steel

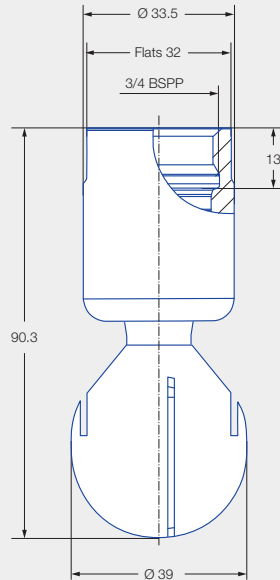


**ATEX version
available on
request**

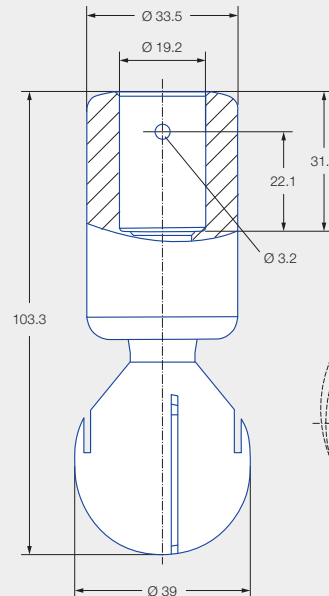
Series 5M3



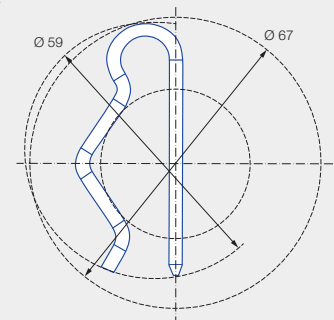
Female thread



Female thread



Dimensions of the
slip-on connection according
to ASME-BE (OD-tube)



Dimensions of the
slip-on connection
top view

| | | | | | | | | | | |
|------------------------|---|---|---|---|---|---|---|---|---|---|
| Max. tank diameter [m] | 0 | 1 | 2 | 3 | 4 | 5 | 6 | 7 | 8 | 9 |
|------------------------|---|---|---|---|---|---|---|---|---|---|

Cleaning efficiency class
2

Max. temperature
250 °C

Installation
Operating in every direction possible

Bearing
Double ball bearing made of stainless steel 316L

Material
Stainless steel 316L





Recommended operating pressure
2 bar

Filtration
Line strainer with a mesh size of 0,1mm/170 mesh

Adapter
1/2 BSPP and 3/4 BSPP are compatible with HygienicFit

Function video
www.lechler.com/de-en/medialibrary
Or scan the QR Code.



| Spray angle | Ordering no. | | | | Narrowest free cross section \varnothing [mm] | \dot{V} water [l/min] | | | | Max. tank diameter [m] |
|--|-------------------|------------|-----------|--------------|---|---------------------------------|------------|-----|------------------------|------------------------|
| | Type | Connection | | | | p [bar] ($p_{\max} = 7$ bar) | | | | |
| | | 1/2 BSPP | 3/4 BSPP | 3/4"-Slip-on | | 1.0 | 2.0 | 3.0 | at 40 psi [US gal/min] | |
| 60°  | 5M3.122.1Y | AH | | TF07 | 2.6 | 45 | 63 | 77 | 20 | - |
| 180°  | 5M3.133.1Y | | AL | TF07 | 1.2 | 47 | 67 | 82 | 21 | 2.6 |
| 180°  | 5M3.134.1Y | | AL | TF07 | 1.3 | 47 | 67 | 82 | 21 | 2.6 |
| 360°  | 5M3.999.1Y | | AL | TF07 | 0.4 | 21 | 30 | 37 | 9 | 1.8 |
| | 5M3.089.1Y | | AL | TF07 | 0.7 | 35 | 49 | 60 | 15 | 2.1 |
| | 5M3.139.1Y | | AL | TF07 | 0.8 | 49 | 69 | 85 | 21 | 2.3 |
| | 5M3.209.1Y | | AL | TF07 | 1.5 | 71 | 100 | 122 | 31 | 2.6 |

NPT thread, weld-on and further slip-on versions on request.

The max. tank diameter shown above applies for the recommended operating pressure and has to be seen as a recommendation. The cleaning result is also affected by the type of soiling.

Operating with compressed air only for short-term usage. Operation above the recommended operating pressure has negative effects on the cleaning result and wear.

Information slip-on connection

- Pin made of stainless steel 316L included (Ordering no. 05M.330.1Y.00.00.0).
- Depending on diameter of the adapter, the flow rate increase due to leakage between connecting pipe and rotating cleaning nozzle.
- Minimum insertion diameter (with mounted pin) is 59 mm.

Example Type + Connection = Ordering no.
of ordering: 5M3.122.1Y + AH = 5M3.122.1Y.AH