

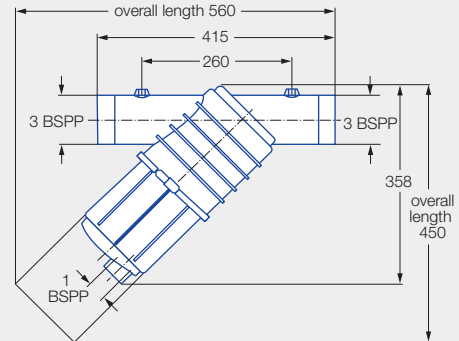
# Strainers

## Max. 8 bar



### Strainer with high flow rate and low resistance

- Integrated flow deflector prevents clogging of the filter insert
- Dirt particles can be removed via an offset outlet port
- Prepared for the install of two pressure gauges



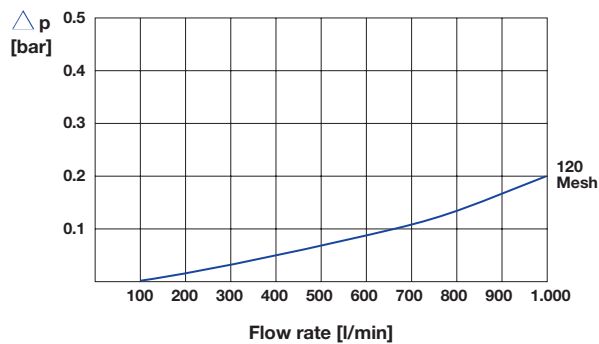
### Strainer with screen

Type	Size	Ordering no.		Screen mesh size [µm/mesh]
		Mat. no.		
		53		
		Polypropylene		
S.GA2.	300.	●		594/32
S.GA3.	300.	●		365/50
S.GA4.	300.	●		173/100
S.GA5.	300.	●		144/120

### Screen

Type	Size	Ordering no.		Screen mesh size [µm/mesh]
		Mat. no.		
		26	5A	
		Stainless steel 304	Polyester/ Stainless steel	
S.002.	300.00.	●		594/32
S.003.	300.00.	●		365/50
S.004.	300.00.	●		173/100
S.005.	300.00.		●	144/120

### Pressure loss chart



### Technical data

Screening surface	860 cm <sup>2</sup>
Screening insert Ø	145 mm
Height of screening insert	320 mm
Inflow/Outflow port Ø	3"
Pressure gauge connection Ø	1/4 BSPP
Max. operating pressure	8 bar

### Ordering example for strainer:

Ordering Type + Size + Material no. = Ordering no.  
example: S.GA2. + 300. + 53 = S.GA2.300.53

### Ordering example for strainer insert:

Ordering Type + Size + Material no. = Ordering no.  
example: S.002. + 300.00. + 26 = S.002.300.00.26

